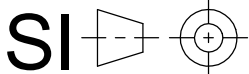
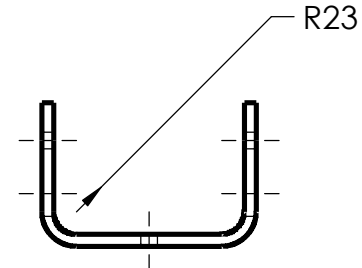
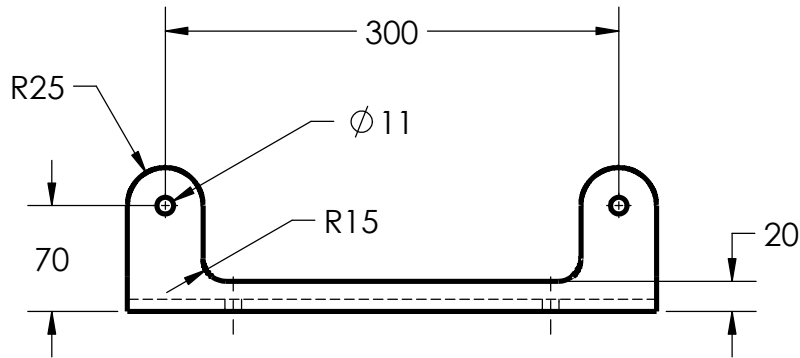
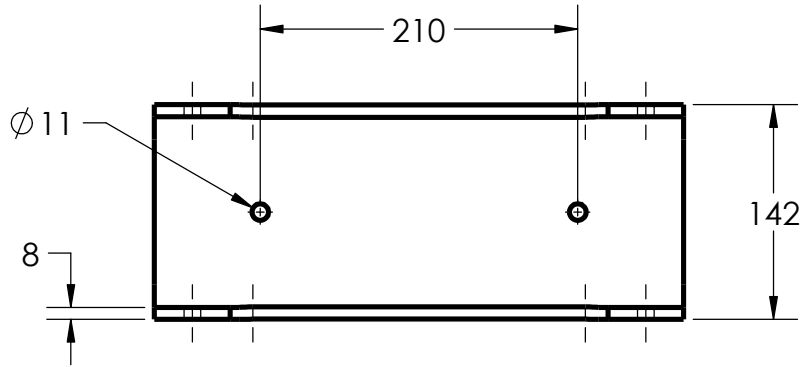


THE INFORMATION CONTAINED IN THIS DRAWING IS THE SOLE PROPERTY OF NC STATE UNIVERSITY. ANY REPRODUCTION IN PART OR WHOLE WITHOUT THE WRITTEN PERMISSION OF NC STATE UNIVERSITY IS PROHIBITED.
 FILE: Base - Keel Roller



NORTH CAROLINA STATE UNIVERSITY
 P.O. BOX 7801
 Raleigh, North Carolina

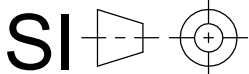
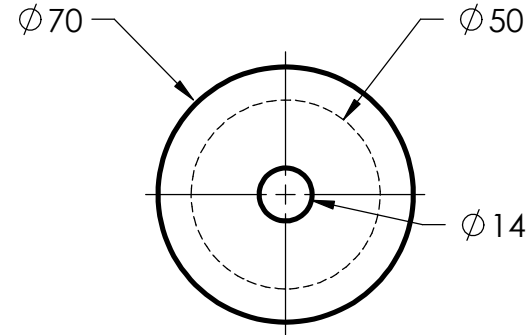
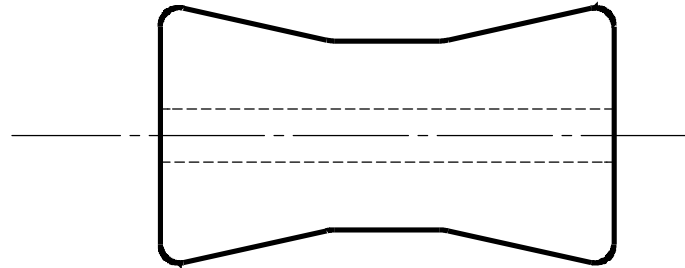
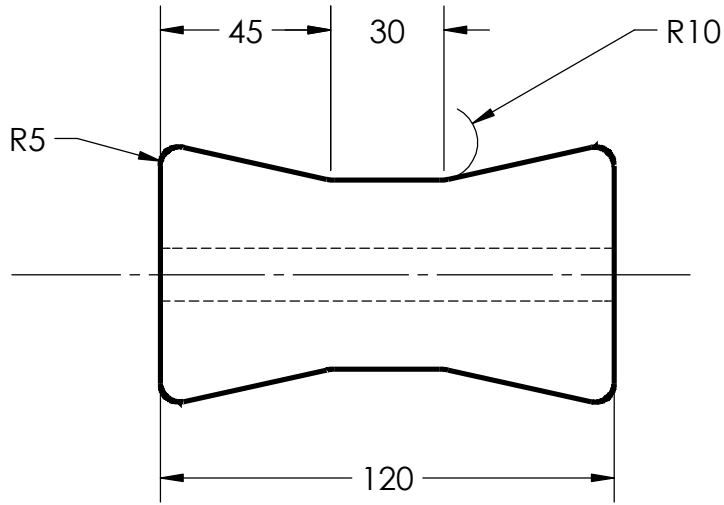
UNLESS OTHERWISE SPECIFIED
 DIMENSIONS ARE IN MILLIMETERS
 TOLERANCES ARE:
 FRACTIONS .XX+ .XX - |
 DECIMALS .XXX+ .XXX -
 ANGLES + |

DRAWN
MARCELI LEWTAK
 MATERIAL
GALV. STEEL

DATE
6/15/2021
 SCALE
1:5

TITLE BASE		SIZE A	PRT. NO. 1	# 1
----------------------	--	------------------	----------------------	---------------

THE INFORMATION CONTAINED IN THIS DRAWING IS THE SOLE PROPERTY OF NC STATE UNIVERSITY. ANY REPRODUCTION IN PART OR WHOLE WITHOUT THE WRITTEN PERMISSION OF NC STATE UNIVERSITY IS PROHIBITED.
FILE: Roller



NORTH CAROLINA STATE UNIVERSITY
P.O. BOX 7801
Raleigh, North Carolina

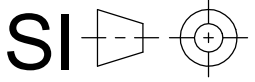
UNLESS OTHERWISE SPECIFIED
DIMENSIONS ARE IN MILLIMETERS
TOLERANCES ARE:
FRACTIONS .XX+ .XX +1
DECIMALS .XXX+ .XXX
ANGLES +1

DRAWN
MARCELI LEWTAK
MATERIAL
VINYL

DATE
6/15/2021
SCALE
1:2

TITLE ROLLER		SIZE A	PRT. NO. 2	# 1
------------------------	--	------------------	----------------------	---------------

THE INFORMATION CONTAINED IN THIS DRAWING IS THE SOLE PROPERTY OF NC STATE UNIVERSITY. ANY REPRODUCTION IN PART OR WHOLE WITHOUT THE WRITTEN PERMISSION OF NC STATE UNIVERSITY IS PROHIBITED.
FILE: Axle Pin



NORTH CAROLINA STATE UNIVERSITY
P.O. BOX 7801
Raleigh, North Carolina

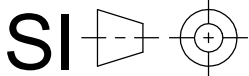
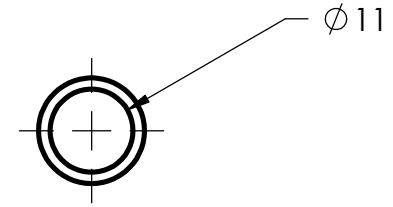
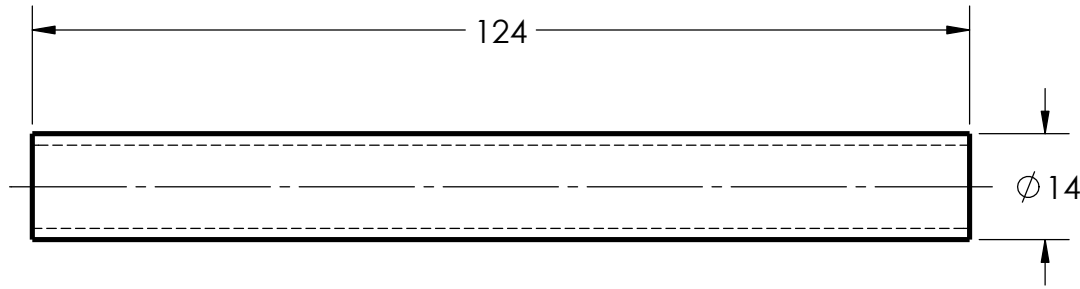
UNLESS OTHERWISE SPECIFIED
DIMENSIONS ARE IN MILLIMETERS
TOLERANCES ARE:
FRACTIONS DECIMALS ANGLES
+ .XX+ .XX + 1
.XXX+.XXX

DRAWN	MARCELI LEWTAK
MATERIAL	STAINLESS

DATE	6/15/2021
SCALE	1:1

TITLE	AXLE PIN		
SIZE	PRT. NO.	#	
A	3	1	

THE INFORMATION CONTAINED IN THIS DRAWING IS THE SOLE PROPERTY OF NC STATE UNIVERSITY. ANY REPRODUCTION IN PART OR WHOLE WITHOUT THE WRITTEN PERMISSION OF NC STATE UNIVERSITY IS PROHIBITED.
 FILE: Bushing



NORTH CAROLINA STATE UNIVERSITY
 P.O. BOX 7801
 Raleigh, North Carolina

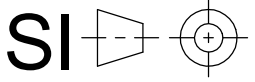
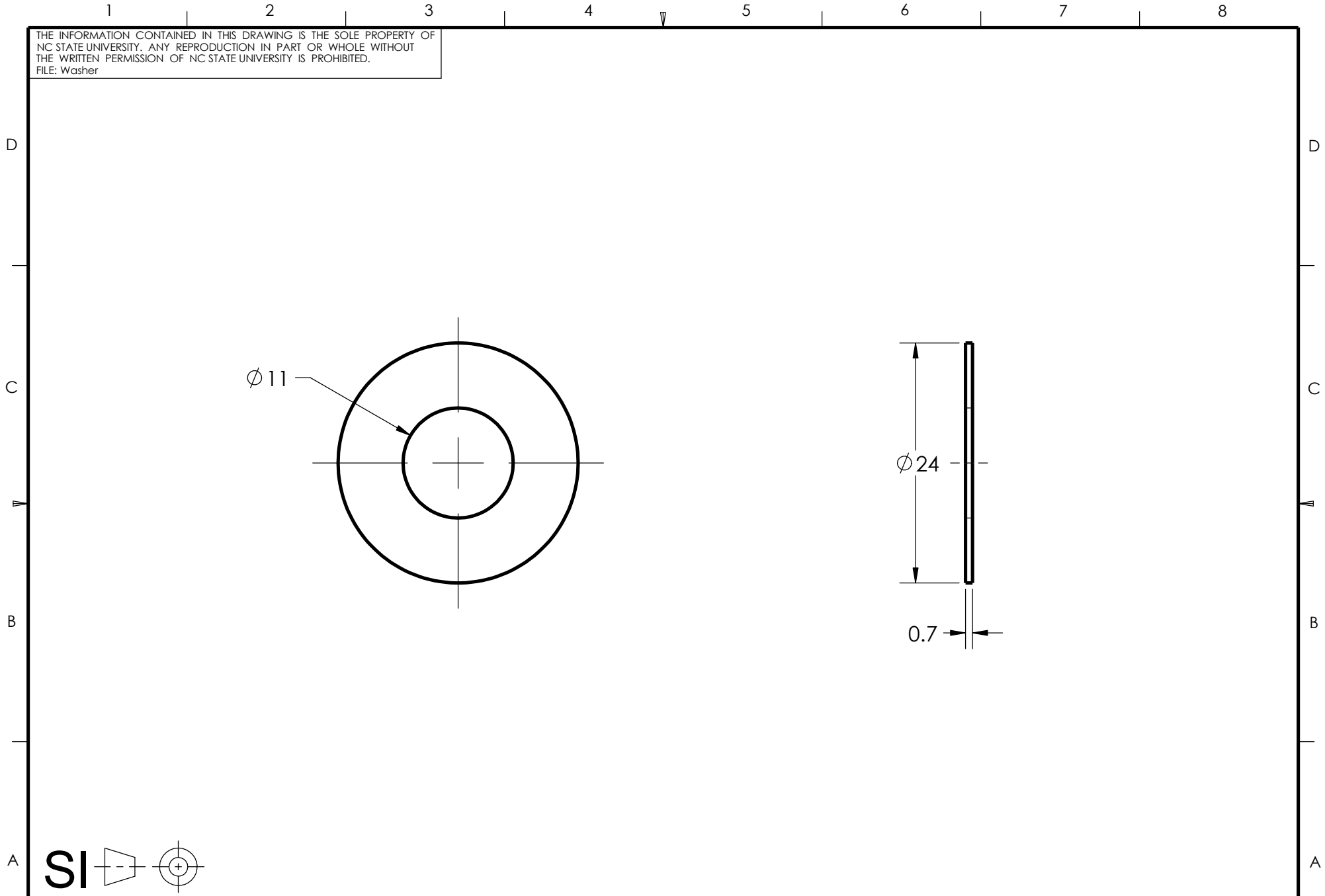
UNLESS OTHERWISE SPECIFIED
 DIMENSIONS ARE IN MILLIMETERS
 TOLERANCES ARE:
 FRACTIONS DECIMALS ANGLES
 + .XX+ .XX + 1
 .XXX+.XXX

DRAWN	MARCELI LEWTAK
MATERIAL	BRONZE

DATE	6/15/2021
SCALE	1:1

TITLE	BUSHING		
SIZE	PRT. NO.	#	
A	4	1	

THE INFORMATION CONTAINED IN THIS DRAWING IS THE SOLE PROPERTY OF NC STATE UNIVERSITY. ANY REPRODUCTION IN PART OR WHOLE WITHOUT THE WRITTEN PERMISSION OF NC STATE UNIVERSITY IS PROHIBITED.
 FILE: Washer



NORTH CAROLINA STATE UNIVERSITY
 P.O. BOX 7801
 Raleigh, North Carolina

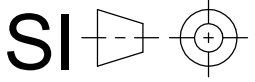
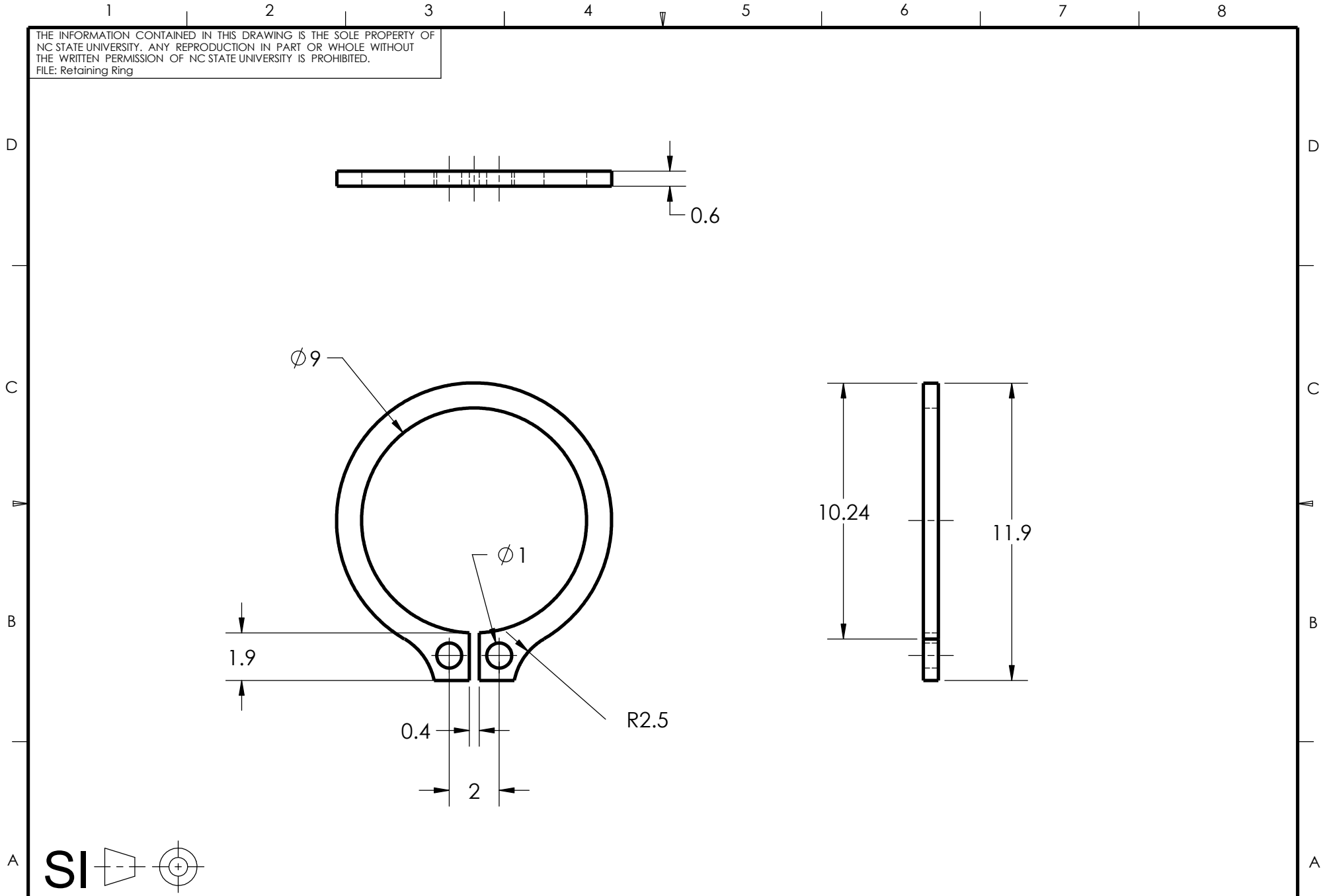
UNLESS OTHERWISE SPECIFIED
 DIMENSIONS ARE IN MILLIMETERS
 TOLERANCES ARE:
 FRACTIONS DECIMALS ANGLES
 + .XX+ .XX + 1
 .XXX+.XXX

DRAWN	MARCELI LEWTAK
MATERIAL	STAINLESS

DATE	6/15/2021
SCALE	2:1

TITLE	WASHER		
SIZE	PRT. NO.	#	
A	5	1	

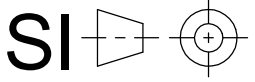
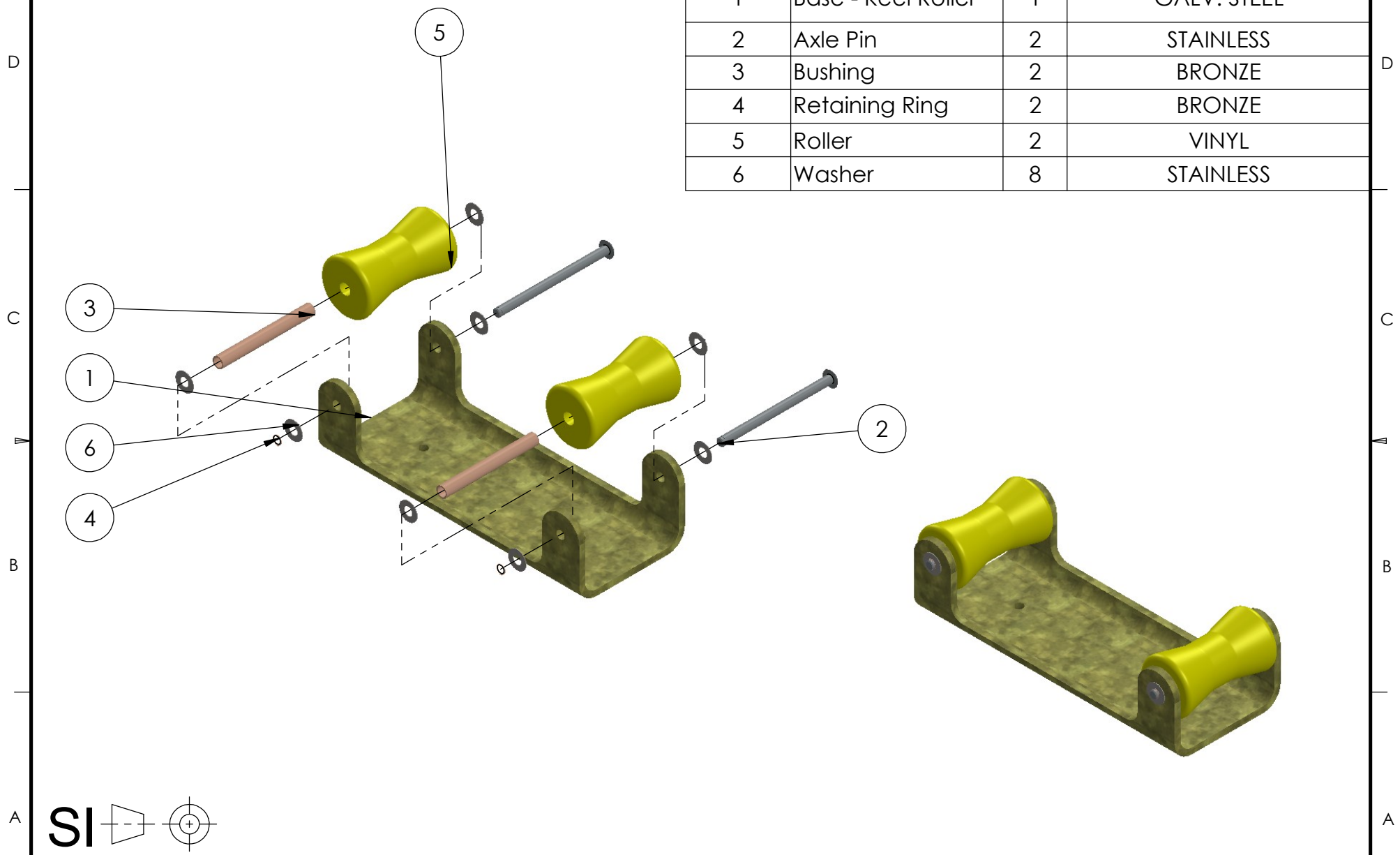
THE INFORMATION CONTAINED IN THIS DRAWING IS THE SOLE PROPERTY OF NC STATE UNIVERSITY. ANY REPRODUCTION IN PART OR WHOLE WITHOUT THE WRITTEN PERMISSION OF NC STATE UNIVERSITY IS PROHIBITED.
 FILE: Retaining Ring



NORTH CAROLINA STATE UNIVERSITY P.O. BOX 7801 Raleigh, North Carolina		UNLESS OTHERWISE SPECIFIED DIMENSIONS ARE IN MILLIMETERS TOLERANCES ARE: FRACTIONS .XX+ .XX -1 DECIMALS .XXX+ .XXX ANGLES +1		DRAWN MARCELI LEWTAK	DATE 6/15/2021	TITLE RETAINING RING	
MATERIAL BRONZE				SCALE 5:1	SIZE A	PRT. NO. 6	# 1

THE INFORMATION CONTAINED IN THIS DRAWING IS THE SOLE PROPERTY OF NC STATE UNIVERSITY. ANY REPRODUCTION IN PART OR WHOLE WITHOUT THE WRITTEN PERMISSION OF NC STATE UNIVERSITY IS PROHIBITED.
FILE: Assem1

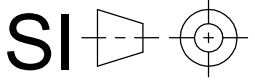
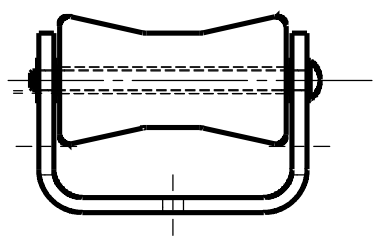
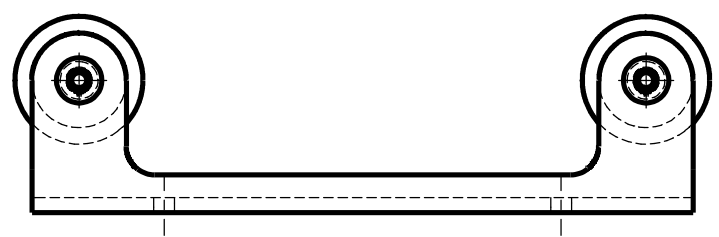
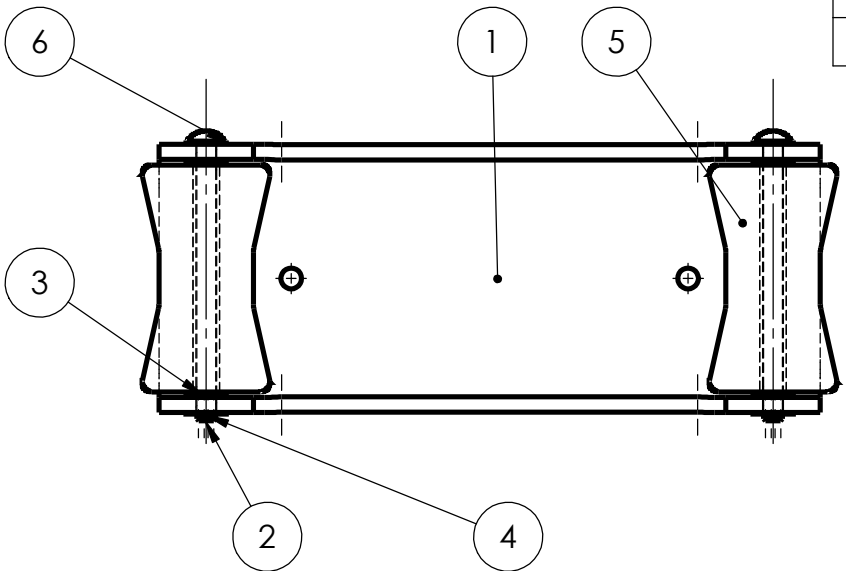
ITEM NO.	PART NAME	QTY.	MATERIAL
1	Base - Keel Roller	1	GALV. STEEL
2	Axle Pin	2	STAINLESS
3	Bushing	2	BRONZE
4	Retaining Ring	2	BRONZE
5	Roller	2	VINYL
6	Washer	8	STAINLESS



NORTH CAROLINA STATE UNIVERSITY P.O. BOX 7801 Raleigh, North Carolina		UNLESS OTHERWISE SPECIFIED DIMENSIONS ARE IN MILLIMETERS TOLERANCES ARE: FRACTIONS .XX+ .XX -1 DECIMALS .XXX+ .XXX ANGLES +1	DRAWN MARCELI LEWTAK	DATE 6/15/2021	TITLE PICTORIAL ASSEMBLY
			MATERIAL SEE BOM	SCALE 1:5	SIZE A
			PRT. NO. 7	# 1	

THE INFORMATION CONTAINED IN THIS DRAWING IS THE SOLE PROPERTY OF NC STATE UNIVERSITY. ANY REPRODUCTION IN PART OR WHOLE WITHOUT THE WRITTEN PERMISSION OF NC STATE UNIVERSITY IS PROHIBITED.
FILE: Assem1

ITEM NO.	PART NAME	QTY.	MATERIAL
1	Base - Keel Roller	1	GALV. STEEL
2	Axle Pin	2	STAINLESS
3	Bushing	2	BRONZE
4	Retaining Ring	2	BRONZE
5	Roller	2	VINYL
6	Washer	8	STAINLESS



NORTH CAROLINA STATE UNIVERSITY
P.O. BOX 7801
Raleigh, North Carolina

UNLESS OTHERWISE SPECIFIED
DIMENSIONS ARE IN MILLIMETERS
TOLERANCES ARE:
FRACTIONS .XX+ .XX -1
DECIMALS .XXX+ .XXX
ANGLES +1

DRAWN
MARCELI LEWTAK
MATERIAL
SEE BOM

DATE
6/15/2021
SCALE
1:4

TITLE
ASSEMBLY VIEW
SIZE
A
PRT. NO.
8

1